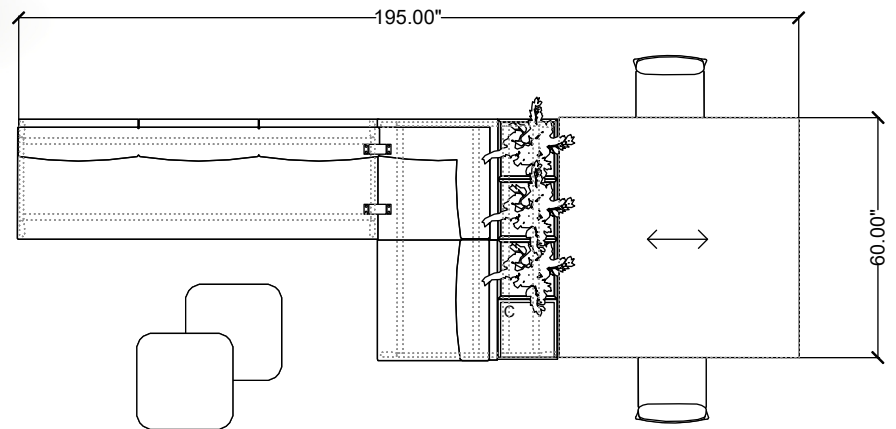


stylex

FREE ADDRESS 04



Materials priced in Grade B Fabric. This specification is for budget purposes and reflects list pricing.



FREE ADDRESS 04

#	Qty	Part Number	Description	List	Ext. List
Free Address 04					
1	2	DL411	Dela, Bar Stool 4-leg Fully Upholstered	\$1,345.00	\$2,690.00
2	1	FA33S	Free Address 42 Triple, Standard	\$5,838.00	\$5,838.00
3	1	FA31S	Free Address 42 Single, Standard	\$2,562.00	\$2,562.00
4	1	FA34S	Free Address 42 Corner, Standard	\$3,391.00	\$3,391.00
5	1	FA5B6060	Free Address Table - Bar Height 60 x 60	\$3,074.00	\$3,074.00
6	1	FA6C1H42	Free Address Cubby - Single, 42" Height	\$2,126.00	\$2,126.00
7	3	FA6P1H42	Free Address Planter - Single, 42" Height	\$2,284.00	\$6,852.00
8	1	FA8SD30L90	Free Address Frame - Seat Height, 30" Depth 90" Length	\$1,293.00	\$1,293.00
9	1	FA8SD45L60	Free Address Frame - Seat Height, 45" Depth 60" Length	\$1,646.00	\$1,646.00
10	2	FAFG1	Free Address Free Address Frame Ganging 1 (Seats)	\$54.00	\$108.00
11	1	TR242412C	Trim, 24Lx24Wx12H, Closed Base	\$1,317.00	\$1,317.00
12	1	TR242414O	Trim, 24Lx24Wx14H, Open Base	\$1,322.00	\$1,322.00
				Total Free Address 04	\$32,219.00