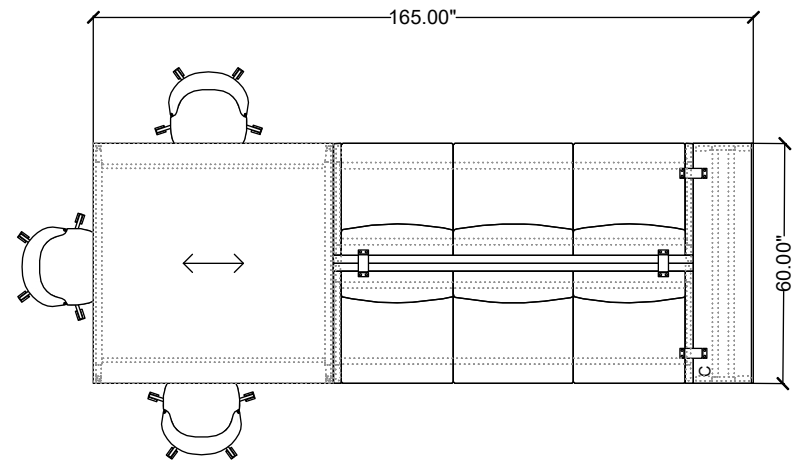


stylex

FREE ADDRESS 07



Materials priced in Grade B Fabric. This specification is for budget purposes and reflects list pricing.



FREE ADDRESS 07

#	Qty	Part Number	Description	List	Ext. List
Free Address 07					
1	2	FA13SE29B	Free Address 29 Height Low-Back Triple With End Panel 29"H Both Sides, Standard	\$5,828.00	\$11,656.00
2	1	FA5D6060	Free Address Table - Desk Height 60 x 60	\$2,627.00	\$2,627.00
3	1	FA6C4H29	Free Address Cubby - Quad, 29" Height	\$2,676.00	\$2,676.00
4	1	FA8SD15L60	Free Address Frame - Seat Height, 15" Depth 60" Length	\$951.00	\$951.00
5	2	FA8SD30L90	Free Address Frame - Seat Height, 30" Depth 90" Length	\$1,293.00	\$2,586.00
6	4	FAFG1	Free Address Free Address Frame Ganging 1 (Seats)	\$54.00	\$216.00
7	3	UL1150	Underline Chair, Armless, 5 Blade	\$1,131.00	\$3,393.00
				Total Free Address 07	\$24,105.00