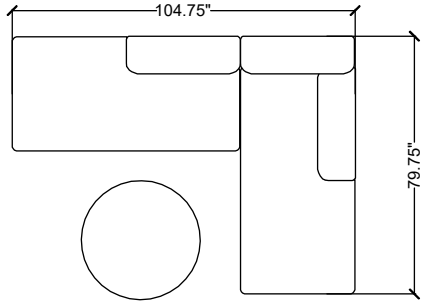


# stylex

YOOM 01



Materials priced in Grade B Fabric. This specification is for budget purposes and reflects list pricing.

# stylex

YOOM 01

#	Qty	Part Number	Description	List	Ext. List
<b>Yoom 01</b>					
1	1	DA1SFGR	Dia Coffee Table, 36"D, 14.5"H, Glass	\$2,212.00	\$2,212.00
2	1	YM616	SOFT BOXED - CHAISE RIGHT	\$4,311.00	\$4,311.00
3	1	YM617	SOFT BOXED - CHAISE LEFT	\$4,311.00	\$4,311.00
4	1	YM631	SOFT BOXED - BACK SINGLE	\$1,347.00	\$1,347.00
5	2	YM631	SOFT BOXED - BACK SINGLE	\$1,347.00	\$2,694.00
				<b>Total Yoom 01</b>	<b>\$14,875.00</b>